

CONSTIX® Cotton Swab SC-7

Medium double-ended pointed cotton swab

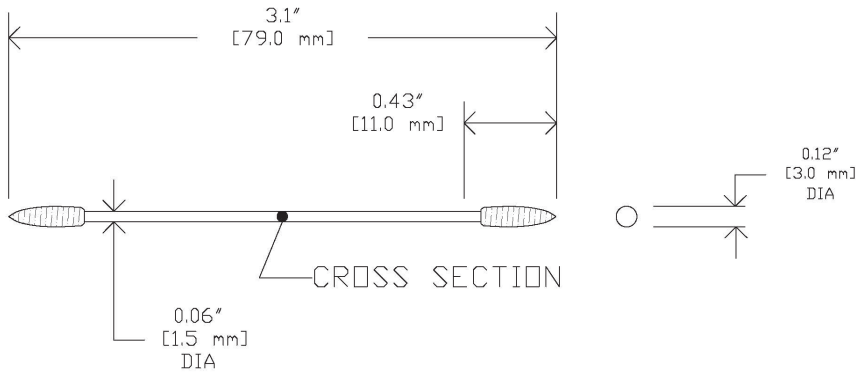
CONSTIX® SC-7 sharp point double-ended cotton swabs consist of high-quality, long staple-length cotton, tightly wrapped and shaped on both ends of high strength, wound paper handles. The heads are held to the handles using a methyl-cellulose binder. These swabs are Sanyo Huby brand swabs imported by Contec®.



The high-quality cotton fibers provide excellent particle entrapment and retention. The heads are very tightly wrapped and shaped using a methyl-cellulose binder which minimizes fiber shedding while maintaining low levels of extractable residue. The SC series cotton swabs are absorbent to most common solvents including isopropyl alcohol, acetone, and aqueous solutions.



| Features | Benefits |
|-----------------------|---|
| Cotton fibers | <ul style="list-style-type: none"> • Provide exceptional absorbency of most solvents and solutions |
| Absorbent cotton head | <ul style="list-style-type: none"> • Ideal for use with aqueous based solutions |

| Part No. | Description | Size | Packaging |
|----------|---------------------|--|-----------|
| SC-7 | CONSTIX Cotton swab | Head dimension: 0.12" x 0.43" (3.0 x 11.0 mm) Handle diameter: 0.06" (1.5 mm) Total length: 3.1" (79.0 mm) | 5000/case |



| Product Information | |
|---------------------|---|
| Head material | <ul style="list-style-type: none"> • Cotton |
| Handle material | <ul style="list-style-type: none"> • Wound paper |
| Construction | <ul style="list-style-type: none"> • Methyl-cellulose binder |
| Packaging materials | <ul style="list-style-type: none"> • Outer bags (OB1): low density polyethylene (LDPE)  Case (BX, CS): corrugated fiberboard (PAP)  |

Recycle Symbols



| Packaging | EA/OB1 | OB1/BX | BX/CS | EA/CS |
|-----------|--------|--------|-------|-------|
| SC-7 | 25 | 100 | 2 | 5,000 |

EA = each; OB = outer bag; BX = box; CS = case