

# CONSTIX® Cotton Swab SC-4

## Medium double-ended pointed cotton swab

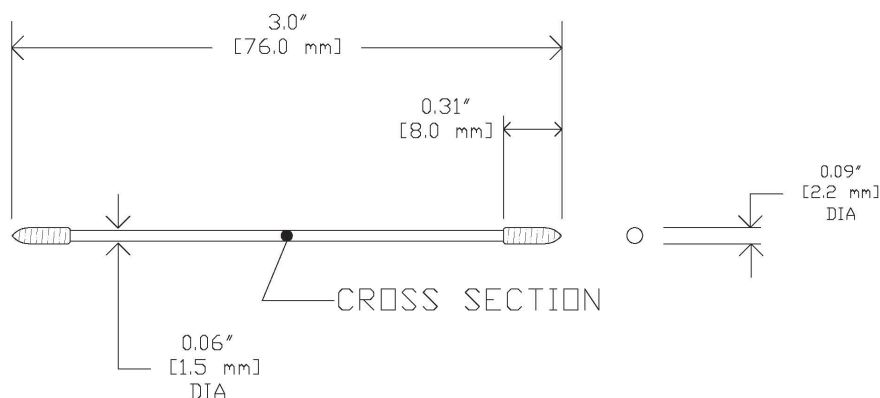
CONSTIX® SC-4 cotton swabs have double-ended hard, sharp points. SC-4 consists of high-quality, long staple-length cotton, tightly wrapped and shaped on both ends of high strength, wound paper handles. The heads are held to the handles using a methyl-cellulose binder. These swabs are Sanyo Huby brand swabs imported by Contec®.



The high-quality cotton fibers provide exceptional sorbency of most solvents and solutions. The heads are very tightly wrapped and shaped using a methyl-cellulose binder which minimizes fiber shedding while maintaining low levels of extractable residue. The SC series cotton swabs are absorbent to most common solvents including isopropyl alcohol and acetone, and are ideal for use with aqueous based solutions.



Features	Benefits
High-quality cotton fibers	<ul style="list-style-type: none"> <li>• Provide excellent particle entrapment and retention</li> </ul>
Tightly wrapped head	<ul style="list-style-type: none"> <li>• Helps maintain low levels of extractable residue</li> </ul>

Part No.	Description	Size	Packaging
SC-4	CONSTIX Cotton swab	Head dimension: 0.09" x 0.31" (2.2 x 8.0 mm) Handle diameter: 0.06" (1.5 mm) Total length: 3.0" (76.0 mm)	5,000/case



Product Information	
Head material	<ul style="list-style-type: none"> <li>• Cotton</li> </ul>
Handle material	<ul style="list-style-type: none"> <li>• Wound paper</li> </ul>
Construction	<ul style="list-style-type: none"> <li>• Methyl-cellulose binder</li> </ul>
Packaging materials	<ul style="list-style-type: none"> <li>• Outer bags (OB1): low density polyethylene (LDPE) </li> <li>Case (BX, CS): corrugated fiberboard (PAP) </li> </ul>

Recycle Symbols



Packaging	EA/OB1	OB1/BX	BX/CS	EA/CS
SC-4	25	100	2	5,000

EA = each; OB = outer bag; BX = box; CS = case