

CONSTIX® Cotton Swab SC-3

Small double-ended round cotton swab

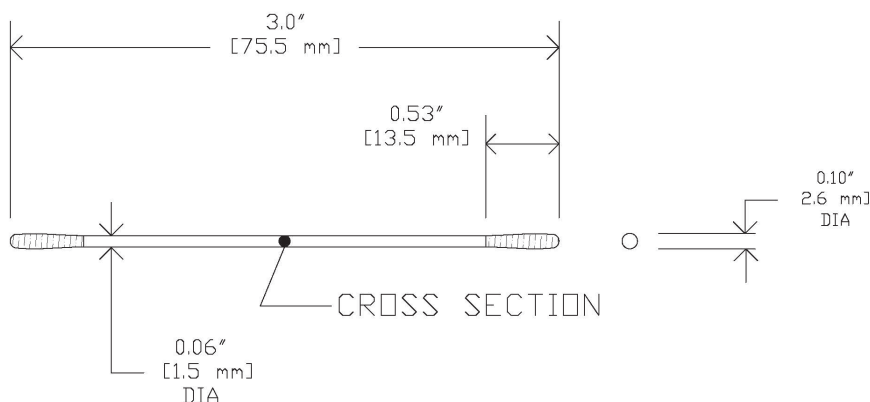
CONSTIX® SC-3 double-ended round cotton swabs consist of high-quality, long staple-length cotton, tightly wrapped and shaped on both ends of high strength, wound paper handles. The heads are held to the handles using a methyl-cellulose binder. These swabs are Sanyo Huby brand swabs imported by Contec®.



The high-quality cotton fibers provide excellent particle entrapment and retention, as well as exceptional sorbency of most solvents and solutions. The heads are very tightly wrapped and shaped using a methyl-cellulose binder which minimizes fiber shedding. The SC series cotton swabs are absorbent to most common solvents including isopropyl alcohol, acetone, and aqueous solutions.



Features	Benefits
Absorbent cotton fibers	<ul style="list-style-type: none"> • Ideal for use with aqueous based solutions
Tightly wrapped head	<ul style="list-style-type: none"> • Helps maintain low levels of extractable residue

Part No.	Description	Size	Packaging
SC-3	CONSTIX Cotton swab	Head dimension: 0.10" x 0.53" (2.6 x 13.5 mm) Handle diameter: 0.06" (1.5 mm) Total length: 3.0" (75.5 mm)	5,000/case



Product Information	
Head material	<ul style="list-style-type: none"> • Cotton
Handle material	<ul style="list-style-type: none"> • Wound paper
Construction	<ul style="list-style-type: none"> • Methyl-cellulose binder
Packaging materials	<ul style="list-style-type: none"> • Outer bags (OB1): low density polyethylene (LDPE)  • Case (CS): corrugated fiberboard (PAP) 

Recycle Symbols



Packaging	EA/OB1	OB1/BX	BX/CS	EA/CS
SC-3	25	100	2	5,000

EA = each; OB = outer bag; BX = box; CS = case